

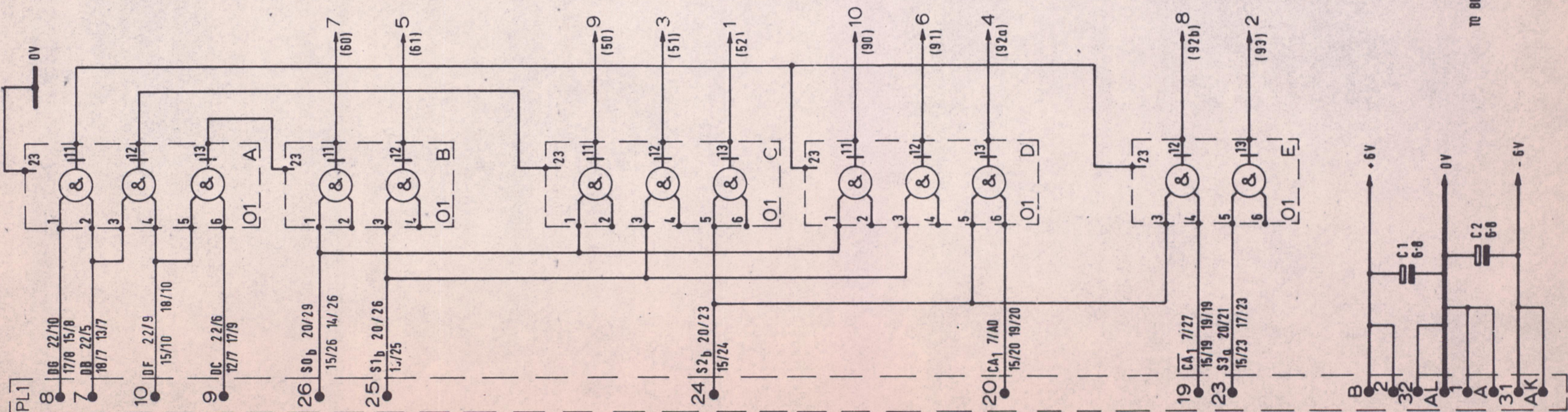
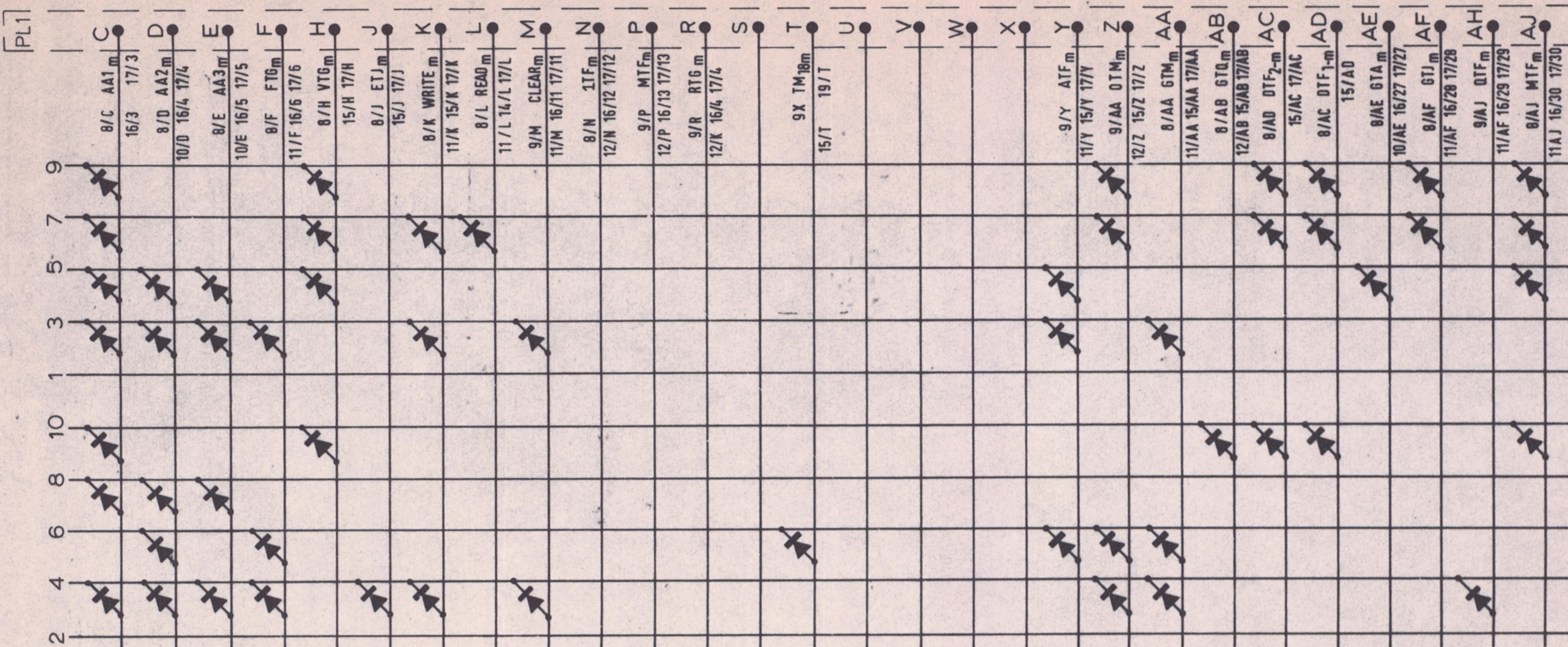
322 C 5207

THIRD ANGLE PROJECTION

DIMENSIONS IN INCHES UNLESS OTHERWISE STATED

DO NOT SCALE DRAWING

USED ON
C 4075



TITLE: BOARD A-GD. POS.16
CONTROL MATRIX
FUNCTIONS 5,6&9.

30

TO BE READ IN CONJUNCTION WITH 322A.7191

LATEST MI INCORPORATED: MI... 2499
2996

ISSUE No.	1
ALTERATION No.	1740
DATE	6.6.66
INITIALS	S.N.
PARTS LIST No.	
DRAWN	S. NIBLETT
CHECKED	CS 633
APPROVED	[Signature]
DATE	7-11-66

MATERIAL _____ FINISH _____

© Elliott Brothers (London) Limited
THIS DRAWING IS THE PROPERTY OF ELLIOTT BROTHERS (LONDON) LIMITED AND MAY NOT BE COPIED USED OR DISCLOSED FOR ANY PURPOSE EXCEPT AS AUTHORIZED BY WRITING BY ELLIOTT BROTHERS (LONDON) LIMITED

TOLERANCES
LINEAR
UNMACHINED SURFACES ±
MACHINED SURFACES ±
ANGULAR DIMENSIONS ±
UNLESS OTHERWISE STATED

TITLE
BOARD A-GD. POS.16
CONTROL MATRIX
FUNCTIONS 5,6&9.

SCALE
DRAWING No.
322 C 5207

ELLIOTT BROTHERS (LONDON) LTD